

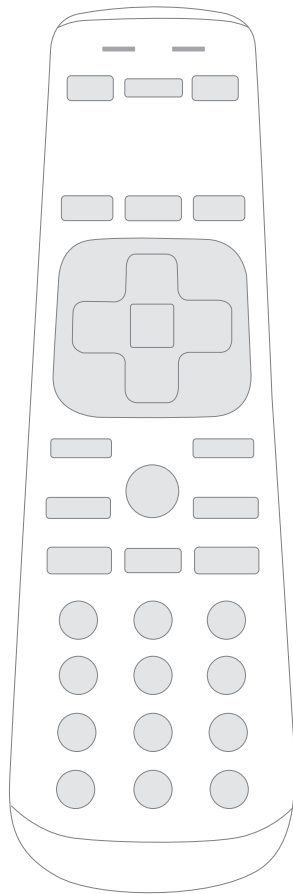


DIRECTV

Device Setup Guide



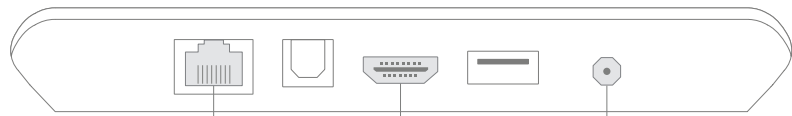
What's In The Box



REMOTE



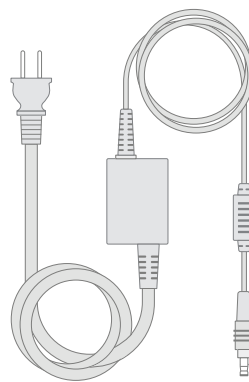
DIRECTV GEMINI DEVICE



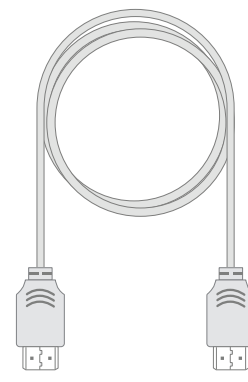
ETHERNET

HDMI

POWER IN



POWER SUPPLY



HDMI CABLE

What you'll need:



User ID & Password

If you don't have them, or forgot them, head to directv.com/AccountLogin for help.



Wi-Fi ID & Password

Using your home Wi-Fi? You'll need to know the network name and its password.

OPTIONAL



Google Account

You can sign in with your Google Account to get more out of your DIRECTV STREAM experience

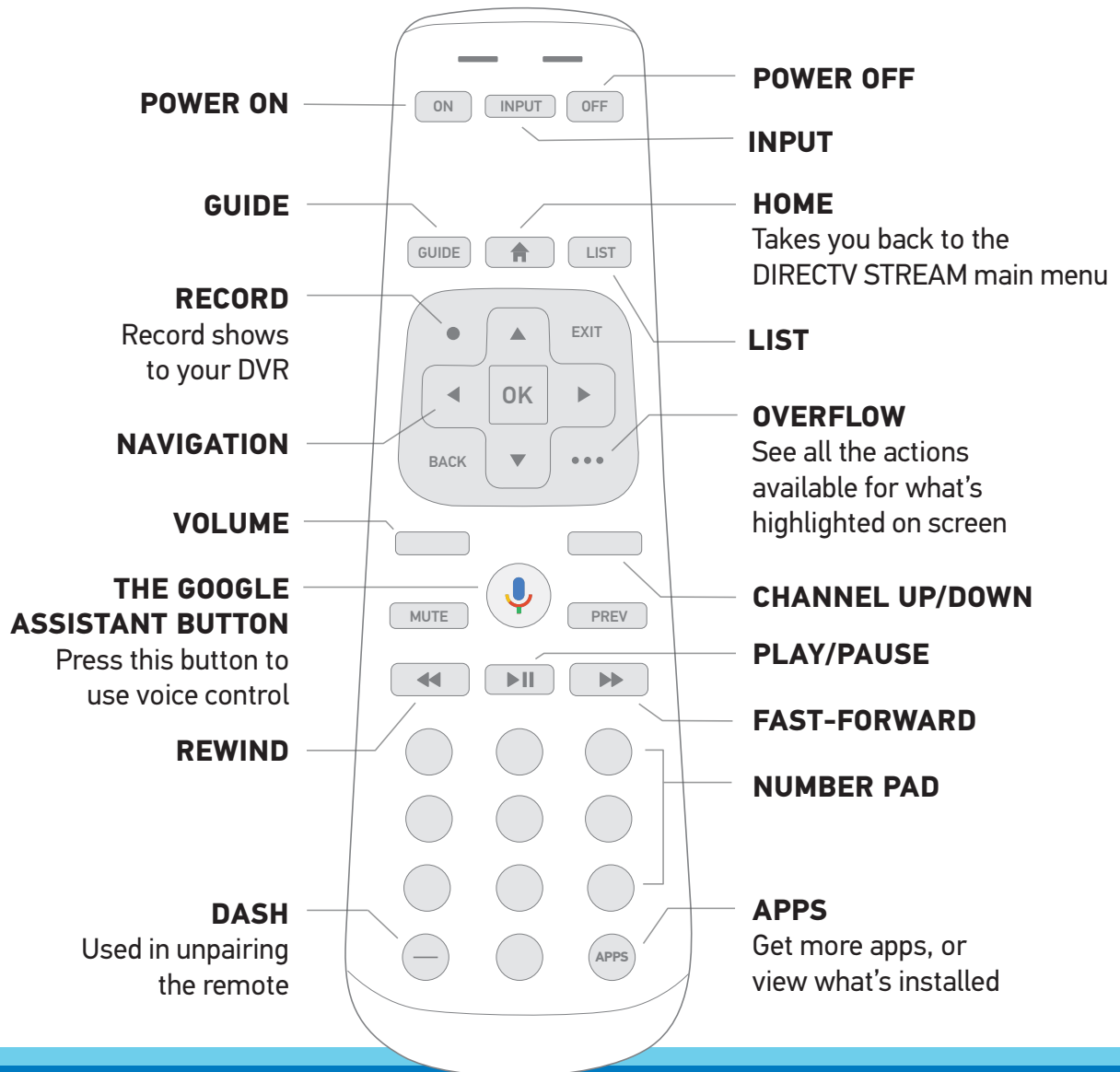
OPTIONAL



Ethernet Cable


Don't want to use Wi-Fi? You'll need an ethernet cable.

Your DIRECTV Remote




Get the most out of your DIRECTV remote



Press  twice to skip ahead 15 seconds.



Press  twice to record the series you're currently watching.

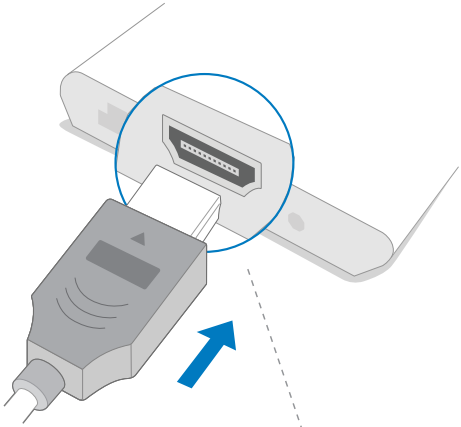


Control the volume of your TV or soundbar with ease.

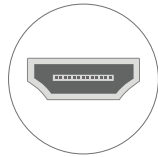
Set Up Your GEMINI Device

1

Plug the HDMI cable into your DIRECTV STREAM Box.

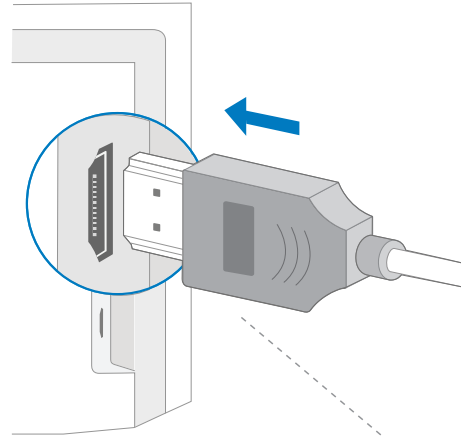


Make sure the HDMI cable is oriented correctly.

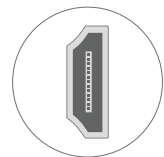


2

Plug the other end of the HDMI cable into your TV.

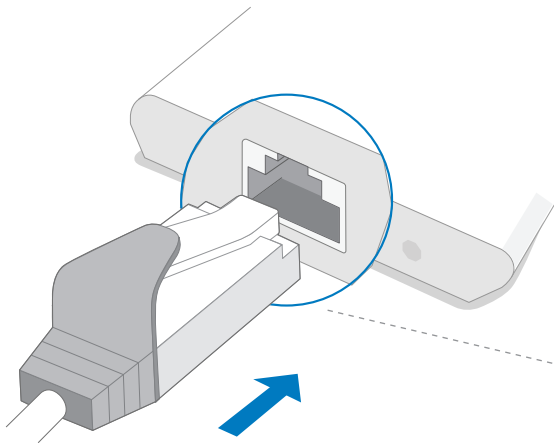


Make sure the HDMI cable is oriented correctly.

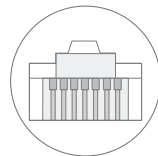


3

Using ethernet? Plug it in now.
If not, proceed to 4.

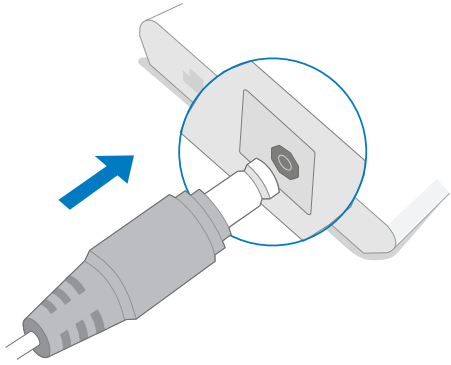


Make sure the ethernet cable is oriented correctly.

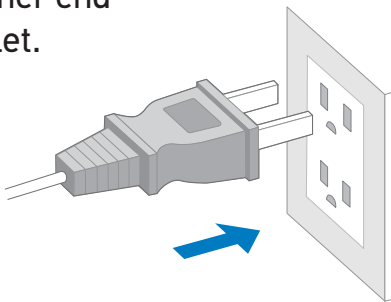


4

Plug the power supply into the Gemini Device.

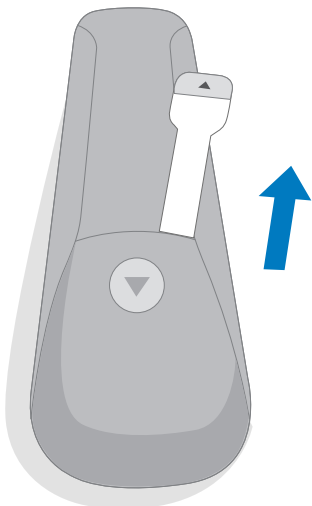


Plug the other end into an outlet.



6

Gently remove the slip from the remote.

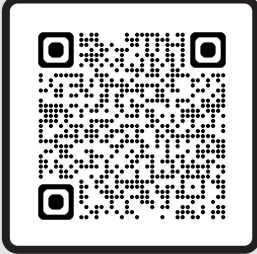
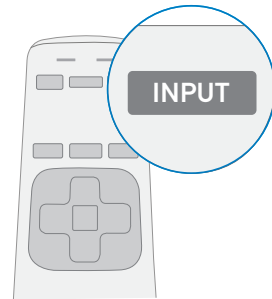


5

Switch on your TV with the remote you usually use.



Blank screen?
You may need to
switch TV input.



Need help?
Take a photo of
this QR Code with
your phone.

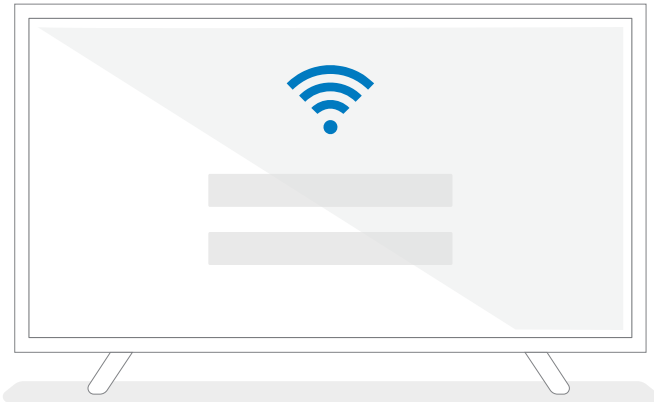
or

call **866.258.8766**

Set Up Your DIRECTV GEMINI Device

7

Now, follow the on screen prompts to continue setup. This process includes such steps as accepting terms and conditions, remote pairing, and software updates. It can take several minutes to complete.



Enter Your Wi-Fi Network Name & Password

You'll need to connect using Wi-Fi if you aren't using ethernet.



Enter User ID & Password

If you need to recover or create these, you can do so at directv.com/AccountLogin.

OPTIONAL



Sign in to your Google Account

Unlock the full potential of Google Assistant by signing in. Access connected devices, get personalized responses, and much more.

Voice Control

Google Assistant can help you find your shows on DIRECTV.

Using Google Assistant is easy. Here's how:



PRESS

the Google Assistant button on your remote.



SAY

what you're looking for. You can find all kinds of things.

Find out more about Google Assistant at directv.com/googleassistant.



Try these commands:

“Play Conan”

“What’s on tonight?”

“Record Teen Titans Go”

“Tune to TNT”

“Is it going to rain today?”

“Turn on closed captions”

Google login required for some commands.

Get More Apps

Get thousands of apps on Google Play.



Here's how to get apps for your DIRECTV STREAM:

- 1 Press the APPS button on your DIRECTV Stream remote.
- 2 Select Google Play Store tile.
- 3 Select the apps of your choice.

Google login required.

DIRECTV Support

Need a little help with your DIRECTV?



Helpful Videos, tutorials, tips, tricks, and solutions to common problems waiting for you at directv.com/support/stream.

Google and Google Play are trademarks of Google LLC. © 2025 DIRECTV. DIRECTV and all other DIRECTV marks are trademarks of DIRECTV, LLC. All other marks are the property of their respective owners.



Need a little help with your DIRECTV?

call

866.258.8766